

*Solid Power for*

ISO 9001-2008 Certified



*The Commitment Company*

# CEMENT

Virginia Transformer's long history of providing custom-designed power transformers to the harsh-environment seen in the Mining and Mineral Industries makes us perfectly suited to serve the Cement industry. For decades the leading Cement manufacturers across the globe have selected VTC to power large motors used in diverse applications across the Cement industry. For example, cement mills, crushers, conveyors, excavators, pumps and fans.

VTC high efficiency transformers are built rugged to withstand the frequent overloads, vibrations and heavy inrush currents encountered during direct on line starting of heavy duty application motors. VTC transformers have provided reliable electrical power to the Cement industry for many decades and is the main reason for being a preferred choice of not only the leading cement and cement machinery manufacturers but also of large drives, OEMs and consultants in the electrical power industry.

With its three North American based manufacturing facilities, VT now manufactures, a broad range (300KVA

to 300 MVA) of power transformers for all types of industrial applications (viz. Power distribution, Motor starting autotransformer, Rectifier and drives duty). Our special expertise, honed through over 40 years of manufacturing and a wide range of transformer designs, lies in understanding the customer needs for reliable power transmission and distribution in very harsh environments, where potential overloads must constantly be factored in, along with other application-specific problems such as voltage harmonic distortion.

Whether you require Liquid-filled or Dry type transformers, VTC is your one-stop-shop for all your industrial power transformer needs. Owing to the advanced technical features, many industrial customers in the cement industry have preferred our proprietary design UNICLAD premium dry type encapsulated transformers over conventional VPI dry or traditional cast coil units. Whatever your power transformer needs, VTC can quickly build units to your exact specifications. Custom design, superior quality, short lead times and always customer friendly service are hallmarks of Virginia Transformer.

For over 40 years VTC has been making custom-built power transformers. Our history in specialty design laid the foundation for a solid engineering based company specializing in transformer and reactor solutions for industrial, commercial and utility applications. The *NEW* Virginia Transformer now operates 3 manufacturing facilities in North America to service our global markets. Our success comes not only through our dedication to producing a top quality product, but equally through innovations in our processes driving us to the forefront of our markets.



**VIRGINIA TRANSFORMER CORP**

**Corporate Office**  
220 Glade View Drive  
Roanoke, VA 24012  
540.345.9892

3770 Poleline Road  
Building #37  
Pocatello, ID 83201  
208.238.0720

Complejo Industrial Chihuahua,  
Ave. Homero #3307  
Chihuahua, Mexico  
52.614.481.4900

[www.vatransformer.com](http://www.vatransformer.com)  
*"The Commitment Company"*

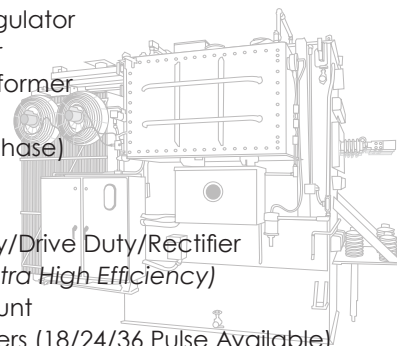
# HISTORY



- 1971 – VTC established
- 1982 – Current president assumes management
- 1989 – Manufactures first LTC transformer
- 1995 – Opened 2nd manufacturing facility in Chihuahua, Mexico
- 1997 – First achieves ISO 9001 certification
- 2003 – Acquired power transformer facility, Pocatello, Idaho
- 2005 – Testing facilities upgraded enabling “front of wave” and “switching surge” tests
- 2009 – Addition of Vapor Phase Drying
- 2011 – VTC's 40th Anniversary

# SPECIAL APPLICATION TRANSFORMERS

- Three Phase Voltage Regulator
- Single Phase Transformer
- Zig Zag Grounding Transformer
- Scott Tee Connected (Converts 3 phase to 2 phase)
- Load Tap Changing
- Autotransformer
- Multi-Winding Secondary/Drive Duty/Rectifier
- “Green” Transformers (Ultra High Efficiency)
- Large Specialty Pad Mount
- Drive Isolation Transformers (18/24/36 Pulse Available)
- Variable Speed Drives Transformers
- Up to 20,000 horse power fro AC and DC motors
- Solar Applications



## WHAT VTC DOES

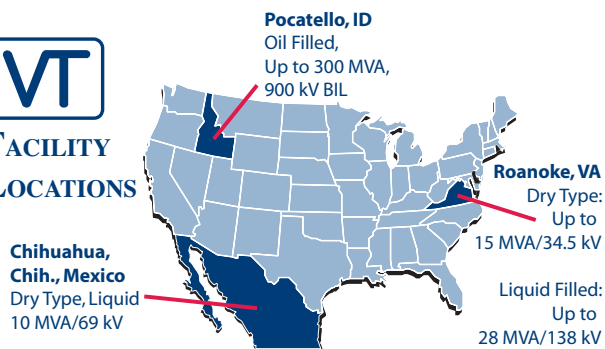
Providing successful solutions means having the right selection of products. VTC offers a wide range of products, and the ability to customize each one to meet specific needs. VTC meets demanding system requirements such as space constraint, special voltage configurations and tough environmental conditions. Our ability to exceed these needs has gained VTC a solid reputation in supplying power transformers.

## MARKET REPRESENTATION

Virginia Transformer Corp uses a network of knowledgeable independent Manufacturers Representatives to support and create the best experience for our customers. These representatives augment our team of Sales Engineers and Application Engineers who work with clients to provide the best solution for their application.



### FACILITY LOCATIONS



## VT CEMENT PROJECTS

- ❖ HOLCIM CEMENT COMPANY ..... 1500 KVA/ 5 kV  
..... (8) 2000KVA/15 kV (oil)  
..... 20 MVA/46 kV (oil)  
..... 4000KVA/44 kV (oil)
- ❖ HUMBOLDT WEDAG - BUZZI UNICEM ..... (3) 2000 KVA/4.6 kV  
Festus, MO..... (2) 1500 KVA/5 kV  
..... 15,000 KVA/13.8 kV  
..... 1500 KVA/4.16 kV
- ❖ FLS SMIDTH INC. .... 7500KVA/15 kV  
Bethlehem, PA ..... (3) 1725 KVA/15 kV  
..... (2) 1150 KVA/15 kV (mineral oil)  
..... (4) 1725 KVA/ 15 kV (oil)  
..... 3750 KVA/15 kV  
..... 2300 KVA/15 kV
- ❖ HOLCIM ..... 15000 KVA/250 kV
- ❖ BUZZI UNICEM ..... 1500 KVA/4.16 kV  
..... 750 KVA/4.16 kV
- ❖ LaFARGE CORP ..... 2666 KVA/5 kV Dry, UNICLAD  
Grand Chain, IL
- ❖ ST. LAWRENCE CEMENT CO..... 5,000 KVA/5 kV  
Greencastle, IN
- ❖ CEMENTOS NACIONALES ..... 15,000 KVA/15 kV  
Dominican Republic
- ❖ ROANOKE CEMENT COMPANY ..... (3) 1500 KVA/5 kV  
Cloverdale, VA
- ❖ LONE STAR CEMENT ..... 5000 KVA/5 kV  
Greencastle, IN
- ❖ HERCULES CEMENT COMPANY ..... 7500 KVA/34.5 kV  
Stockertown, PA
- ❖ LEHIGH HANSON COMPANY ..... 15 MVA/67 kV  
(Heidelberg Cement Group) ..... (3) 2500/2800 kVA  
Fleetwood / Allentown, PA..... 34.64 kV
- ❖ GIANT CEMENT ..... 10/12.5 MVA, 12.47 kV  
Harleyville, SC